



WOLF[®]

Hydraulic Crawler Drill



- ▶ 100% hydraulic equipment, made by WOLF, powerful, agile and considered the most economical of its category, can be used in quarries, mining companies, construction companies and rock drilling and blasting service providers.
- ▶ It allows drilling with diameters between 2.1/2" to 3.1/2" (64 - 89 mm), through the Hydraulic Surface Hammer system model W 19.

Advantages of the equipment

- ▶ **Digital Panel with Interactive Display:** with pressure, flow, temperatures and operations indicators, allowing the adjustment of functions.
- ▶ **The Digital Inclinometer:** is incorporated in the functions of this display, with precise angulation of the boom for drilling (X and Y axes – 90 degrees per axis).
- ▶ **Depth Gauge:** Hole depth gauge sensor.
- ▶ **Lowest Diesel Consumption in the Category:** diesel consumption of 13 to 15 liters per hour, depending on the drilling diameter, the type and conditions of rock, in addition to a reduction in the emission of pollutants (according to the TIER 3 category standard).
- ▶ **High Yield:** average production of 25 linear meters per hour, depending on the drilling diameter, the type and conditions of rock.
- ▶ **Locomotion / Stability:** the equipment was designed with hydraulic planetary gearboxes, being self-sufficient to move, reflecting high torque and high performance on slopes.
- ▶ Operational and Maintenance Simplicity.
- ▶ **Rod Changer:** considerably reduces the changeover time.
- ▶ **Reduction of Manpower:** requires 01 operator, dispensing with an assistant.



WOLF CARE + - You Work, We Care!

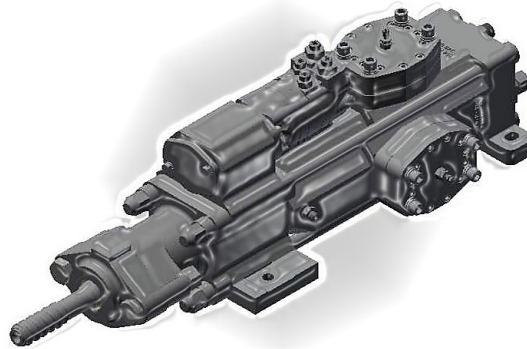
- ▶ **Preventive follow-up** program according to factory service intervals to maximize performance and minimize unexpected downtime.
- ▶ **Regular visits** – The maintenance of your equipment is always up to date.
- ▶ **WOLF Care+** preventive visits reduce the risk of unexpected breakdowns, increasing the availability of your equipment. Our technicians are highly qualified to carry out the necessary checks, always bringing the best performance from your WOLF Drill.
- ▶ **P.M.P. - Preventive Maintenance Program:** Scheduled Maintenance carefully following the PMP, developed by our team of technicians and engineers*. Don't despair and don't waste time and production with emergency stops.
**Except wearing parts and lubricants.*
- ▶ **Extended Warranty:** Worry about winning more projects, let WOLF take care of your drill for you. We offer an extended warranty covering machine components except Diesel Engine



TECHNICAL DATA

DIESEL ENGINE	COMPRESSOR UNIT
Cummins Model QSB 4.5 130HP Série TIER 3 Cooling: Water Diesel tank capacity: 210 lts / 55 gal	Type: Screw Flow: 195 CFM/PCM Pressure: 105 PSI (7 -9 bar)
ROD CHANGER	SPEAR
Type: Carousel with rod change Capacity: 6+1 rod - (T38/T45 rods - 3.66 m) Maximum depth: 25 meters (82') Standard Shank Semi-Automatic Greaser	Length: 7 meters (23') Usable length: 4.5 meters (14')
TRACTION	HYDRAULIC CURRENT ADVANCE
Maximum Speed: 3,8 Km/h Traction Force: 43.734 N Uphill ramp: 42% Truck Oscillation: +/- 12°	System: Planetary Gearbox
CLEANING SYSTEM	
Water Cleaning System (Standard)	
Water tank capacity: 150 liters (33 gal)	

Technical Specifications - Hydraulic Surface Drill W 19



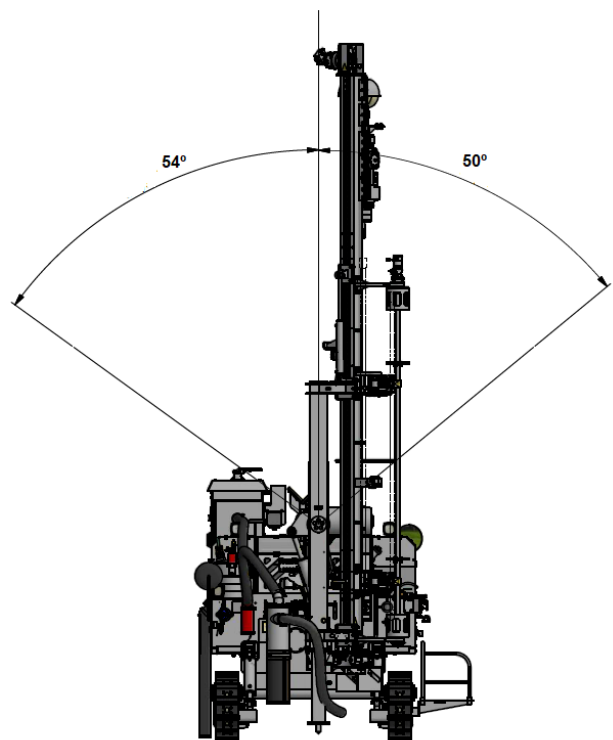
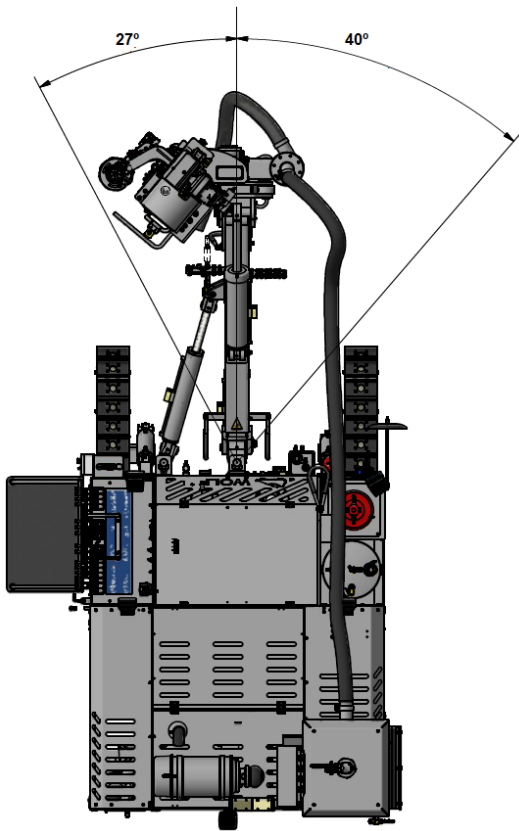
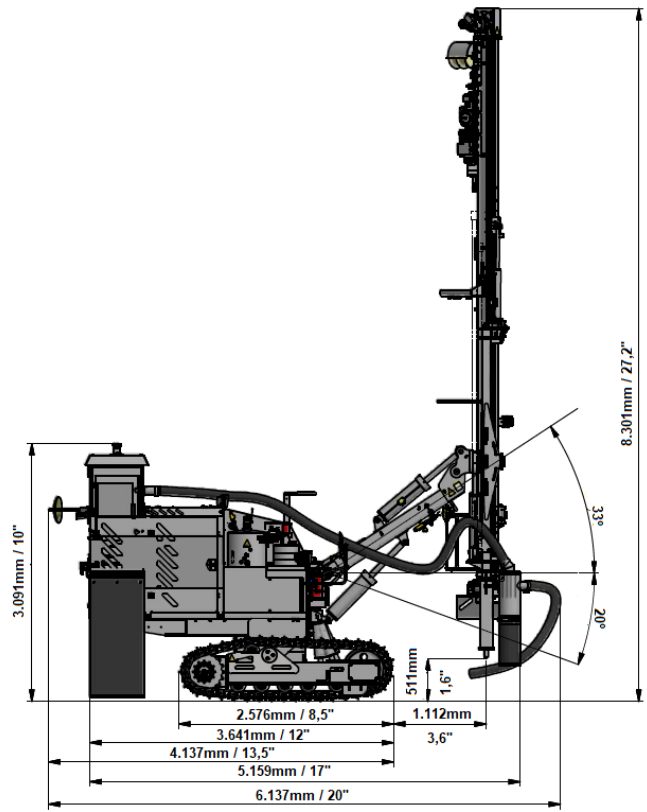
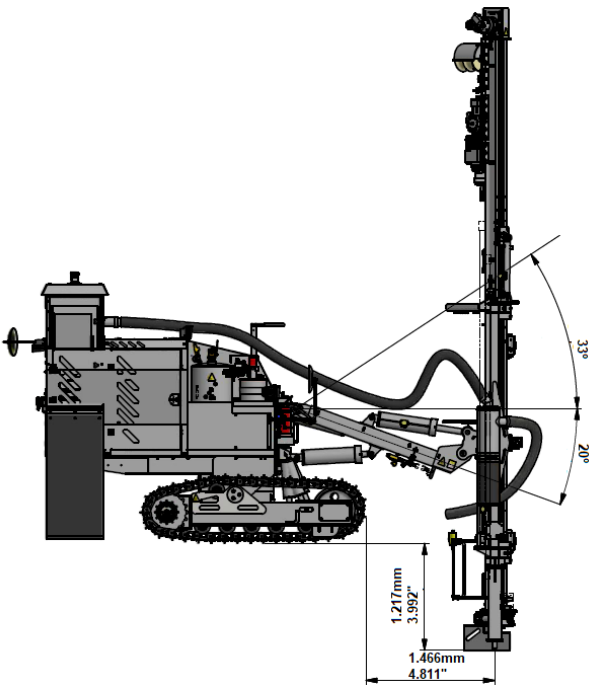
Work pressure	120-140 bar (2.030 psi)	Impact Power	19 kw (26hp)
Torque Rotation	750 Nm (553lbf/ft)	Impact Frequency	2.600 bpm
Weight	237 Kg (527 lbs)	Rotation	0 – 150 rpm
Thread Type	T38 / T45	Drilling Diameter	2. ½" - 3. ½" (64 mm – 89 mm)



AVAILABLE ITEMS	FOX 8-20BV00	FOX 8-20CV00	
Fairing	STANDARD	STANDARD	
Rod Changer	STANDARD	STANDARD	
Rod Greaser	STANDARD	STANDARD	
Hydraulic Centralizer	STANDARD	STANDARD	
Hose Tensioner	STANDARD	NÃO DISPONÍVEL	
Side Operation Platform	STANDARD	STANDARD	
Side Platform with Guardrail	OPTIONAL	OPTIONAL	
Water Cleaning System (150 lt / 33 gal capacity)	STANDARD	STANDARD	
Dust Collectors (Primary and Secondary)	NOT AVAILABLE	NOT AVAILABLE	
Boom Digital Inclinometer	STANDARD	STANDARD	
Night Lights (01 LED headlight)	STANDARD	STANDARD	
Additional Night Lights (04 LED headlights)	OPTIONAL	STANDARD	
Lifting Eye	OPTIONAL	OPTIONAL	
Parasol Support	OPTIONAL	OPTIONAL	
Nitrogen Charger (not include nitrogen cylinder)	OPTIONAL	OPTIONAL	
Emery	OPTIONAL	OPTIONAL	
Rearview Mirrors (Side and Rear)	OPTIONAL	OPTIONAL	
Reverse horn and siren (security sound kit)	STANDARD	STANDARD	
Depth Gauge	OPTIONAL	OPTIONAL	
DIMENSIONS FOR TRANSPORT			
Length	Width	Height	Weight
7.700mm	2.600mm	3.250mm	9.000kg



DRILLING REACHES





Headquarter – Factory (Indaiatuba/SP – Brasil)

+ 55 (19) 3825-6530

+ 55 (19) 3875-5460

info@wolf.com.br

www.wolf.com.br

Branches

WOLF – Minas Gerais

(Contagem/MG)

+ 55 (31) 3361-0648

wolfmg@wolf.com.br

WOLF – Nordeste

(Salvador/BA)

+ 55 (71) 3379-6959

bahia@wolf.com.br

WOLF – Paraná

(Colombo/PR)

+ 55 (41) 3656-3572

parana@wolf.com.br

WOLF – Rio Grande do Sul

(Porto Alegre/RS)

+ 55 (51) 3059-9023

rs@wolf.com.br

WOLF Américas

Estados Unidos (U.S)

+ 1 (407) 704-2051

info@wolfdrill.com

www.wolfdrill.com