



WOLF®

Hydraulic Crawler Drill



- ▶ The **FOX** Hydraulic Trailer series is an excellent choice in rock drilling equipment that can be used in Quarries, Opencast Mining, Construction, Drilling Service Providers, etc. This equipment generates high productivity with low operating costs and with 100% national technology.
- ▶ The **FOX 8-30** equipment, developed and designed by WOLF, is fully hydraulic and requires a single operator, and allows drilling with diameters between 2.1/2" to 3.1/2" (64 to 89 mm), through the Hammer system. of Surface model W 19;
- ▶ Self-sufficient, the **FOX 8-30** has a water-cooled 4cc QSB4.5 TIER 3 series Cummins Electronic Diesel Engine.
- ▶ The **FOX 8-30** can be equipped with two models of Ergonomic Air-conditioned Cabs, one of which meets international safety standards "ROPS" and "FOPS".
- ▶ **These standards and certifications guarantee the cabin Roll Over Protection (ROPS) and Falling Objects Protection Level II (FOPS).**
- ▶ Inside the cabin, there are all the controls that facilitate the operation and provide greater efficiency and safety during locomotion and drilling. The operator has an excellent view of the mine shaft at the time of drilling. Commands through Joysticks, allowing greater efficiency and operational ease.
- ▶ **Better Operational Vision:** boom with 45 degree inclination allowing complete visualization of the operation, from the mine shaft, rod changer, to the Motor/Advance Reducer assembly.
- ▶ Interactive Digital Display inside the Cab showing and monitoring at all times all indicators of Pressure, Flow, Temperatures, Operations and with the built-in DIGITAL INCLINOMETER, giving a correct angulation of the boom for drilling (X and Y axes - 90 degrees per axis) ;
- ▶ In this Digital Display, ALERTS TO THE OPERATOR are also presented, indicating that the equipment is near or at the time of performing PREVENTIVE MAINTENANCE and presenting POSSIBLE SOLUTIONS FOR PROBLEMS FOUND.
- ▶ **Depth Gauge:** Hole depth gauge sensor.



WOLF CARE + - You Work, We Care!

- ▶ **Preventive follow-up** program according to factory service intervals to maximize performance and minimize unexpected downtime.
- ▶ **Regular visits** – The maintenance of your equipment is always up to date.
- ▶ **WOLF Care+** preventive visits reduce the risk of unexpected breakdowns, increasing the availability of your equipment. Our technicians are highly qualified to carry out the necessary checks, always bringing the best performance from your WOLF Drill.
- ▶ **P.M.P. - Preventive Maintenance Program:** Scheduled Maintenance carefully following the PMP, developed by our team of technicians and engineers*. Don't despair and don't waste time and production with emergency stops.
*Except wearing parts and lubricants.
- ▶ **Extended Warranty:** Worry about winning more projects, let WOLF take care of your drill for you. We offer an extended warranty covering machine components except Diesel Engine

EQUIPMENT ADVANTAGES

- ▶ Lowest Operating Cost in the Category
- ▶ Operational and Maintenance Simplicity
- ▶ Reduction of Diesel Consumption
- ▶ Labor Reduction
- ▶ High Productivity
- ▶ Spare parts in the domestic market
- ▶ Services / Maintenance made by the manufacturer WOLF



TECHNICAL DATA

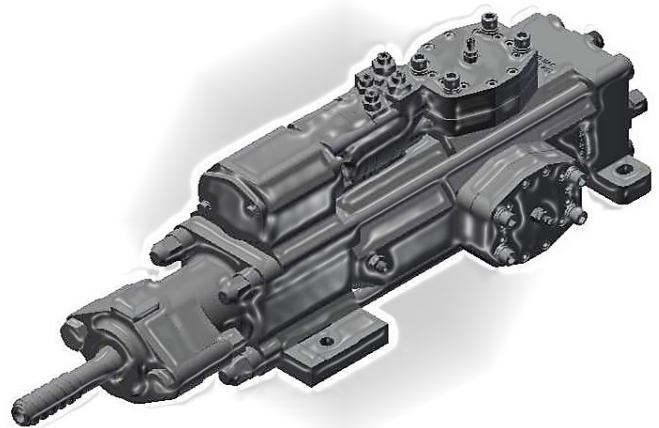
DIESEL ENGINE	COMPRESSOR UNIT
Cummins Model QSB 4.5 130HP TIER 3 Series Water cooled Diesel Tank Capacity 210 lt (55gal)	Screw Type Flow: 195 CFM / PCM Pressure: 100 - 150 PSI (7 - 9 bar)
SEMI-AUTOMATIC ROD CHANGER	SPEAR
Carousel type Capacity 6+1 Rods Rod greaser	Length: 7 meters Usable length: 4.5 meters
TRACTION	HYDRAULIC CURRENT ADVANCEMENT
Max speed: 3.8 km/h Pulling force: 43.734 N Ramp up: 33% Truck Oscillation: +/- 11°	Planetary Reducer System
CLEANING SYSTEM	
Cleaning with Water	
Water tank capacity: 150 liters (33 gal)	

AVAILABLE ITEMS

Cabin with Air Conditioning	STANDARD	Hydraulic Centralizer	STANDARD
Cab with ROPS / FOPS Air Conditioning	OPTIONAL	Hose tensioner	STANDARD
Interactive Digital Display in Cab	STANDARD	Sound Kit (Horn and Reverse Siren)	STANDARD
Electronic Maintenance Alert	STANDARD	Night lights	STANDARD
Digital Angle Indicator	STANDARD	Cleaning with water (Water tank)	STANDARD
Anti-jamming	STANDARD	Nitrogen Charger	OPTIONAL
Automatic Rod Changer	STANDARD	Pneumatic Emery	OPTIONAL
Rod greaser	STANDARD	Lifting Eye	OPTIONAL
Grease Pump	STANDARD	Depth Gauge	OPTIONAL

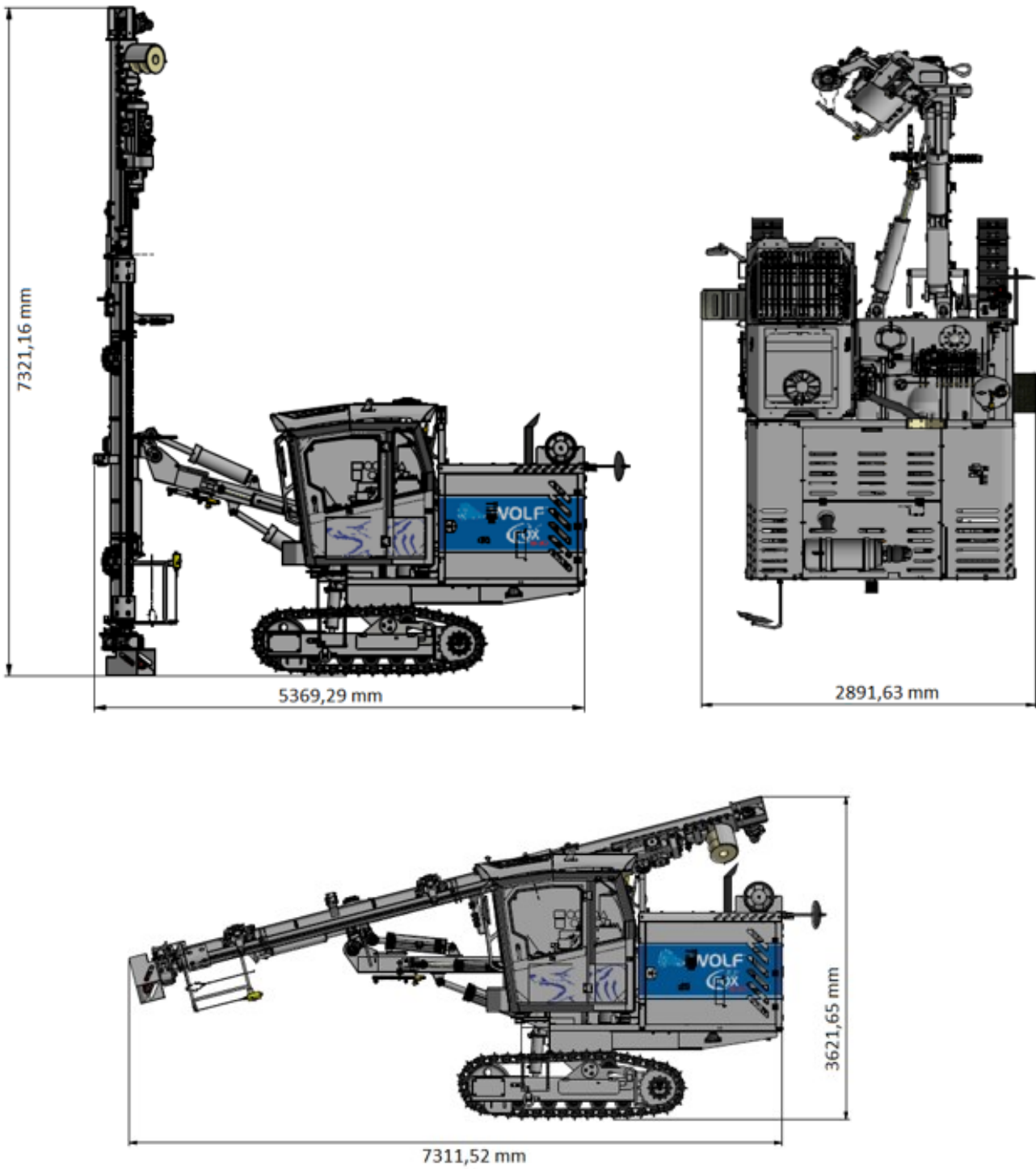
HYDRAULIC DRIFTER

W 19



Model	W 19
Work pressure	120-140 bar (2.030 PSI)
Impact Power	19 kw (26hp)
Impact Frequency	2.600 BPM
Weight	237 kg
Rotation Torque	750 Nm (533 lbf/ft)
Thread type	T38 / T45
Drilling diameter	2.1/2" – 3.1/2"
Magazine / Number of Rods	Carousel 6 + 1
Length of Rods	3,66m (12")

OPERATIONAL AND TRANSPORT DIMENSIONS



Length	Width	Height	Weight
7.315mm	2.900mm	3.630mm	10.500kg



Headquarter - Factory (Indaiatuba/SP – Brasil)

+ 55 (19) 3825-6530

+ 55 (19) 3875-5460

info@wolf.com.br

www.wolf.com.br

Branches

WOLF – Minas Gerais

(Contagem/MG)

+ 55 (31) 3361-0648

wolfmg@wolf.com.br

WOLF – Paraná

(Colombo/PR)

+ 55 (41) 3656-3572

parana@wolf.com.br

WOLF – Nordeste

(Salvador/BA)

+ 55 (71) 3379-6959

bahia@wolf.com.br

WOLF – Rio Grande do Sul

(Porto Alegre/RS)

+ 55 (51) 3059-9023

rs@wolf.com.br

WOLF Américas

Estados Unidos (U.S)

+ 1 (407) 704-2051

info@wolfdrill.com

www.wolfdrill.com